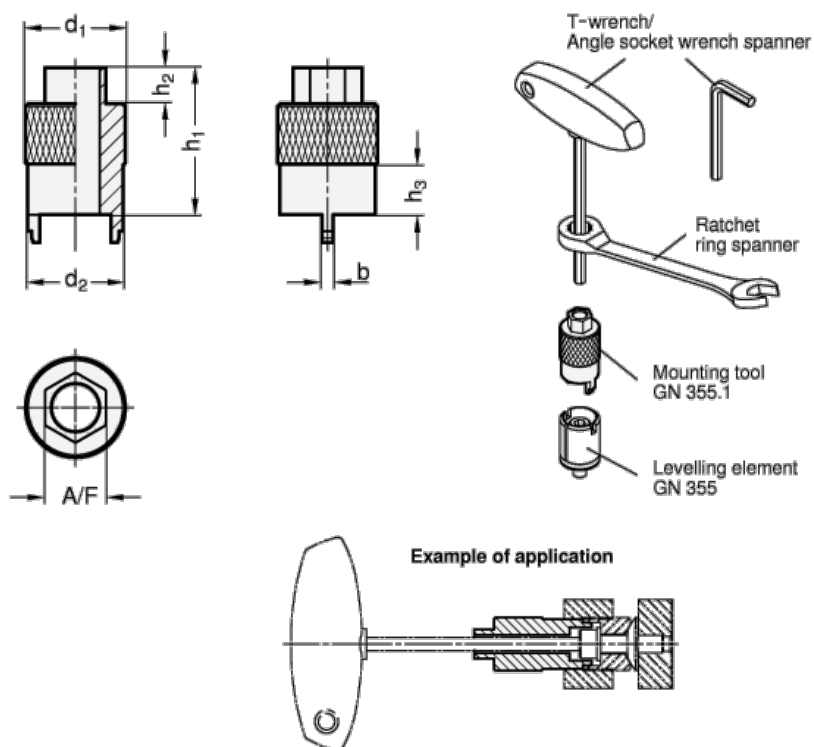


Article number: 20355112

Description: E+G Mounting tool, GN 355.1-12

Measures



A/F	= 8
b	= 2
d1	= 12
d2	= 11
h1	= 35
h2	= 7
h3	= 6
Max torque pres Nm	= 20

Weight in (g) = 22